



SAILING INSTRUCTIONS

**ropes
expert**
World Class Rigging Service

**RANGE ROVER
SPORT**

Robline
World Class Yachting Ropes



CCT GROUP

Zeit am See.at
Mehr als Ankler...

SALZBURG • MÜNCHEN • DÜSSELDORF • ROVINJ

**ATTERSEE-ATTERGAU
salzkammergut**

Zipfer
1858
UNGLAS HELLER
FREUDE

YA **YACHT**
AGENTUR

SPORT oö
Land Oberösterreich · Upper Austria

**SCHÖNLEITNER
BOOT**



SAILING INSTRUCTIONS



The Organizing Authority (OA) is the International Star Class Yacht Racing Association (ISCYRA) in conjunction with the Union-Yacht-Club Attersee (UYCAs).

The notation '[NP]' in a rule in the SIs means it shall not be grounds for protest by a boat. This change is added to RRS 60.1(a).

1 Rules

- 1.1 The regatta will be governed by the rules as defined in The Racing Rules of Sailing (RRS).
- 1.2 NATIONAL Prescriptions do not apply.
- 1.3 RRS Appendix P will apply. RRS P2.2 and P2.3 will not apply. RRS P2.1 is changed so that it will apply to the first and subsequent penalties. See also SI 3.3.
- 1.4 STCR 34.3.1 changes RRS 32 to provide that courses will not be shortened.
- 1.5 Per STCR 34.3.1, RRS 33b will apply; leg length may be changed within the parameters of the Format being sailed.
- 1.6 STCR 34.6.3 changes RRS 35, RRS A5, and RRS A10 to provide that boats not finishing within the stated time in the STCR after the first boat sails the course and finishes within the time limit will be scored "TLE" as defined therein.
- 1.7 STCR 35.5 changes RRS 44.1 and RRS P2.1 so that the Two-Turns Penalty is replaced by a One-Turn Penalty.
- 1.8 [NP] While racing, boats shall display stickers of the event logo and the event sponsors. The OA will supply the stickers and assistance to fix them properly. Competitors are responsible for maintaining their bow stickers visible on both sides of the bow.



SAILING INSTRUCTIONS



2 Changes in the Sailing Instructions

- 2.1 Any change to the SI will be approved by the Principal Race Officer (PRO) and will be posted by 1000 on the day it will take effect, except that any change in the schedule of races will be posted by 2000 on the day before it will take effect. Failure to post notices on the regatta website will not be ground for redress. This changes RRS 62.1.
- 2.2 Any change to the SI will be posted on the Official Notice Board (ONB) located outside the race office, and on the regatta website (stars2023.uycas.at).

3 Communication with Competitors

- 3.1 Notices to competitors will be posted on the Official Notice Board (ONB).
- 3.2 Notices to competitors may be duplicated on the regatta website.
- 3.3 Notices to competitors may be duplicated in the WhatsApp group of the event.
- 3.4 Failure to duplicate notices on the regatta website or in the WhatsApp group will not be ground for redress.
- 3.5 Boats may be hailed by Race Officials by Sail number.

4 Code of Conduct

- 4.1 Competitors and Support Persons shall comply with reasonable requests from Race Officials. Note RRS 37.

5 Team Weight

- 5.1 All teams must demonstrate compliance with STCR 31.1.3 prior to the end of measurement.
- 5.2 In case of crew change the teams must demonstrate compliance with STCR 31.1.3 two hours prior to the next planned start.



SAILING INSTRUCTIONS



6 Signals Made Ashore

- 6.1 Signals made ashore will be displayed from the flagpole at the UYCA's and posted on the WhatsApp group of the event.
- 6.2 When flag AP is displayed ashore, "1 minute" is replaced with "not less than 30 minutes" in Race Signals AP.

7 Schedule

7.1 Registration:

Wednesday, September 27th, 2023, 15:00 – 18:00 hrs,

Thursday, September 28th, 2023, 9:00 – 11:00 hrs

7.2 Equipment inspection and event measurement:

Wednesday, September 27th, 2023, 15:00 – 18:00 hrs,

Thursday, September 28th, 2023, 9:00 – 11:00 hrs

7.3 Dates of racing:

Thursday, September 28th, 2023 – Saturday, September 30th, 2023

On Sunday, October 1st, 2023, races will be sailed only if three races have not been completed. No fourth race will be sailed on Sunday, October 1st, 2023

7.4 Number of races:

Two (2) races are scheduled for each day of racing. A maximum of three (3) races may be sailed in any one day.

7.5 The scheduled time of the warning signal for the first race is Thursday, September 28th, 2023, 13:00 hrs.

The scheduled time for the warning signals on Friday and Sunday is 10:30 hrs and will be posted officially on the official notice board.

7.6 On the last scheduled day of racing no warning signal will be made after 15:00 hrs.

7.7 6 races are scheduled.



SAILING INSTRUCTIONS



7.8 The RC may change the schedule. 3 races per day may be sailed, per the Format being sailed per STCR 34.3.7. The Race Committee reserves the right to get one race ahead of schedule should expected sailing conditions warrant.

7.9 To alert boats that a race will begin soon, the orange starting line flag will be displayed with one sound at least five minutes before a warning signal is made.

8 Class Flag

8.1 The Class Flag will be a white flag with a red star.

9 Racing Area

9.1 The racing area normally is close to the Union-Yacht-Club Attersee

10 Courses [NP]

10.1 Course “0”, Course “1”, Course “2” (by approval of the ISCYRA Continental Committee), Course “3”, or Course “4”, STCR 34.3, consistent with the Format being sailed, STCR 34.3.7, will be used. The RC signal boat at the starboard end will display the appropriate number as digit in orange to indicate the course prior to or with the warning signal.

10.2 The approximate compass bearing from RC Signal boat to Mark 1 will be displayed on the RC signal boat at the starboard end with yellow digits prior to or with the warning signal.



SAILING INSTRUCTIONS



Course 0:

Start

1

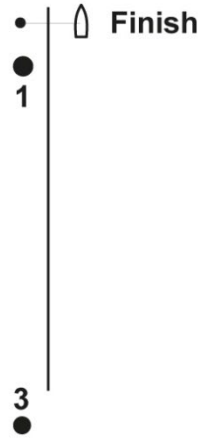
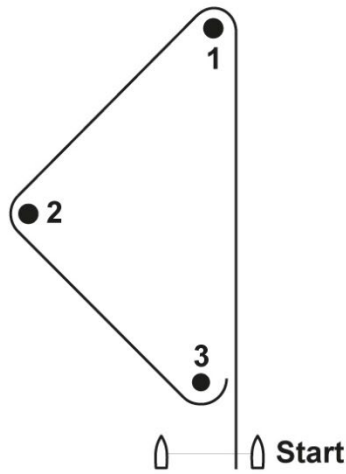
2

3

1

3

Finish (upwind)



Course 1:

Start

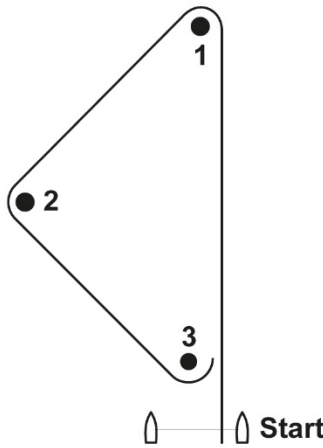
1

2

3

1

Finish (downwind)



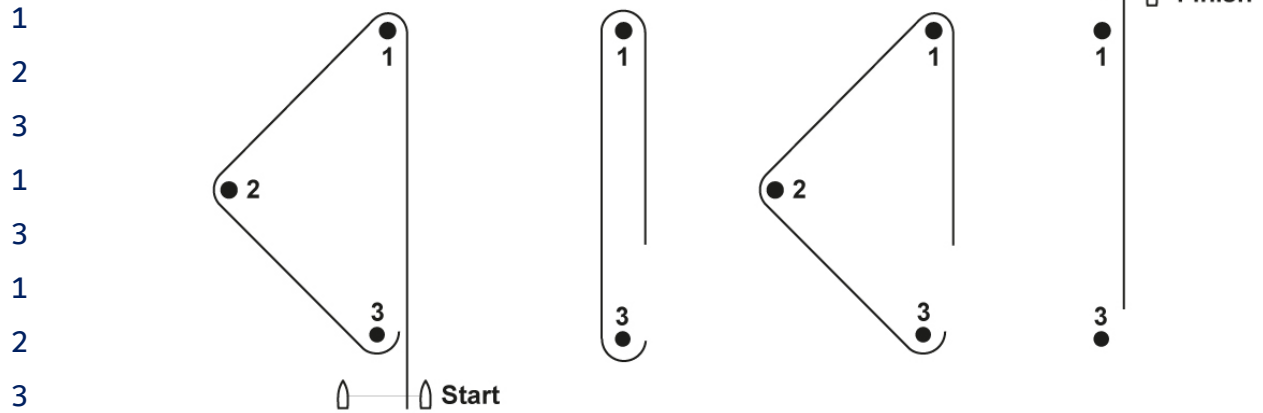


SAILING INSTRUCTIONS



Course 2:

Start



Finish (upwind)

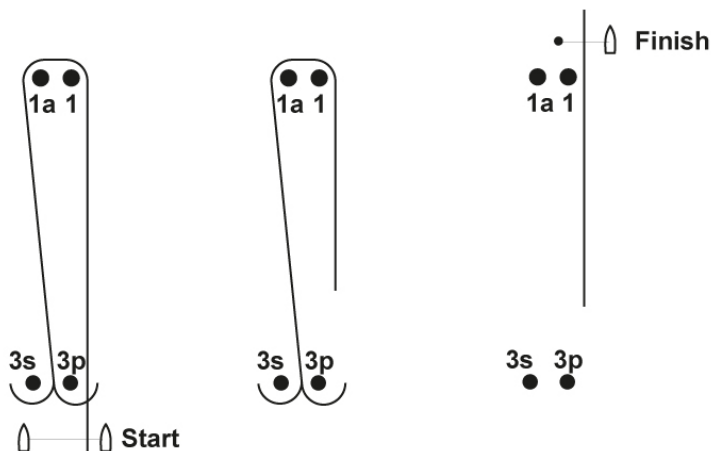
Course 3:

Start

1 - 1a - 3s/3p

1 - 1a - 3s/3p

Finish (upwind)



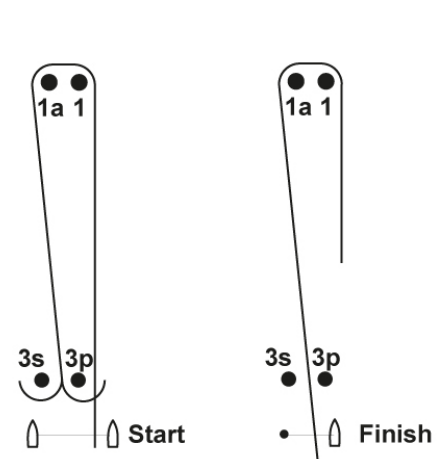
Course 4:

Start

1 - 1a - 3s/3p

1 - 1a

Finish (downwind)





SAILING INSTRUCTIONS



11 Marks

- 11.1 Course Marks 1 (Windward), 1a (Offset) and Mark 2 (Gybe, if used) will be big inflatable yellow marks.
Course Mark 3 (Leeward) and 3a (Gate) will be a inflatable yellow mark with red caps.
- 11.2 The starting marks will be the RC signal boat at the starboard end, and a red mark with yellow caps or a RC boat at the port pin end.
- 11.3 The finishing marks will be the RC signal boat at the starboard end, and a red mark with yellow caps or a RC boat at the port pin end.
- 11.4 Change marks are inflatable red marks with yellow caps.

12 Check-in / Tracking

- 12.1 Instead of the normal used check-in procedure a tracking device has to be carried on board switched on during racing.

13 The Start

- 13.1 The starting lines will be between a staff displaying an orange flag on the RC starboard pin- end boat and a staff displaying an orange flag on the RC port pin-end boat, or the Course side of a Starting Mark buoy.
- 13.2 A boat not starting within ten (10) minutes after the starting signal will be scored “Did Not Start” (DNS), without a hearing. This changes RRS 63.1. A5 and STCR 34.7.
- 13.3 [NP] A RC service/mark boat will attempt to notify any OCS, UFD, or BFD boats by displaying the appropriate starting penalty flag and displaying their sail numbers and/or hailing their sail numbers. Boats so notified shall leave the race course immediately.



SAILING INSTRUCTIONS



14 Changing the Next Leg of the Course

14.1 To change the next leg of the course, the RC will lay a new mark (or move the finishing line) and remove the original mark as soon as practicable. When in a subsequent change a new mark is replaced, it will be replaced by an original mark.

14.2 In the event, that mark 1 (and 1a) used in courses 3 and 4 is changed the new mark substitutes mark 1 and 1a at the same time. This means, that there is no more offset mark (1a).

15 The Finish

15.1 The finishing line will be between staffs displaying blue flags on the finishing Marks *or* a staff displaying a blue flag on the starboard end and the course side of a nearby finishing Mark on the port end.

16 Penalty System

16.1 Appendix T, Arbitration, will apply.

16.2 After a hearing, penalties for violations of (Class/NoR/SI) rules other than those of RRS Part 2 will be at the discretion of the Protest Committee and may include disqualification.

17 Time Limits

17.1 The time limits will be as specified in STCR 34.3.7 and 34.6.3 (see SI 1.6), for the Format being sailed in the Regatta.

17.2 As there are no more than 30 boats format C is used. That means that there is a 30 minute maximum time limit for first beat, target time per race is 1 hour. 2 hour maximum time limit for completed course.

17.3 All boats not finishing within 30 minutes after the first boat and still sailing the course shall be scored TLE. TLE will be defined as the theoretical average score of all boats not finished and still sailing the course at the close of the window.



SAILING INSTRUCTIONS



18 Hearing Requests

- 18.1 Protests and requests for redress or reopening shall be delivered to the Race Office.
- 18.2 The protest time limit shall be 45 minutes after the docking time of the RC finish vessel.
The protest time limit will be posted on the ONB.
- 18.3 Notices will be posted on the ONB no later than 15 minutes after the protest time limit to inform competitors of hearings in which they are parties. Hearings will be held on the 2nd floor of the Race Office building and parties and their witnesses should report there at the scheduled time.
- 18.4 Within the protest time limit, the RC shall post the sail numbers of all boats that are disqualified or penalized under RRS A5.1.

19 Scoring:

- 19.1 The number of races scheduled is 6. This changes NOR 12.1 (See STCR 27.3.)
- 19.2 The scoring system is the Low Point System in RRS Appendix A.
- 19.3 When fewer than 5 races have been completed, a boat's series score will be the total of her race scores. When 5 or more races have been completed, a boat's series score will be the total of her race scores excluding her worst score.
- 19.4 To request correction of an alleged error in posted race or series results, a boat may complete a scoring inquiry form available at the Race Office.
- 19.5 RRS A5.3 will be in effect.

20 Liability and Safety [NP]

- 20.1 The safety of a boat and her entire management, including insurance, shall be the sole and inescapable responsibility of the owner and/or entrant.
- 20.2 Competitors leaving the race course before the end of a race shall inform the Race Committee or the Protest Committee as soon as possible.
- 20.3 Competitors not leaving the dock on a race day shall inform the race office.



SAILING INSTRUCTIONS



21 Replacement of Crew or Equipment

21.1 Any request for a change of crew shall be submitted to the RC in writing prior to 0900 on the day of the race for which the change is to be made. If the RC grants permission, it will do so in writing and post such notice on the official notice board.

21.2 A change of helmsman will not be permitted.

21.3 Substitution of damaged or lost equipment will not be allowed unless authorized by the Technical Committee.

21.4 Requests for substitution shall be made to the TC at the first reasonable opportunity.

22 Event Advertising [NP]

22.1 Boats shall display event advertising supplied by the OA.

World Sailing Regulation 20.9.2 applies. [NP]

23 Official Boats

23.1 Official boats will be marked as follows:

23.1.1. Race Committee Signal Boat: "RC flag"

23.1.2. Service/Mark boats: "RC flag"

23.1.3. Jury boats: White flag with black "Jury"

23.1.4. Press boats: White flag with black "Press"



SAILING INSTRUCTIONS



24 Support Boats

- 24.1 Coach boats and support boats are not allowed.
- 24.2 [NP] Private spectator boats shall stay 100 meters outside areas where boats are racing from the time of the warning signal until all boats have finished racing, except as provided in SI 24.1.
- 24.3 [NP] A boat shall receive no outside assistance from coaches, support persons or private spectators once she has left the dock for the day until the finish of the last race of the day, except in the case of emergency and/or towing supplied by the OA and available to all participants.

25 Haul out Restrictions [NP]

- 25.1 All boats shall be kept at their assigned locations at Union-Yacht-Club Attersee from Thursday, September 30, 2021, 10:45 until the end of the Championship.

26 Diving Equipment and Plastic Pools [NP]

- 26.1 Underwater breathing apparatus and plastic pools or their equivalent shall not be used around boats between the preparatory signal of the first race and the end of the Championship.

27 Prizes:

- 27.1 Award is a silver star with a large U30 of contrasting color inserted in the star. No chevrons or bars awarded
- 27.2 Series prizes will be awarded to the skipper and crew finishing first through fifth.
- 27.3 Daily Prizes will be awarded to the winners of all races.
- 27.4 The OA and the Hosts reserve the right to award additional prizes at their sole discretion.



SAILING INSTRUCTIONS



28 Risk Statement:

28.1 RRS 3 states: 'The responsibility for a boat's decision to participate in a race or to continue to race is hers alone.' By participating in this event each competitor agrees and acknowledges that sailing is a potentially dangerous activity with inherent risks. These risks include strong winds and rough seas, sudden changes in weather, failure of equipment, boat handling errors, poor seamanship by other boats, loss of balance on an unstable platform and fatigue resulting in increased risk of injury. Inherent in the sport of sailing is the risk of permanent, catastrophic injury or death by drowning, trauma, hypothermia or other causes.

29 Insurance

29.1 Boats sailing in this regatta (each 'person in charge' per RRS 46) must be adequately insured and shall hold a valid insurance certificate showing proof of third party liability for racing risks.

30 Media Rights

30.1 By participating in the event competitors automatically grant to the OA and their sponsors, the right in perpetuity to make, use and show, from time to time at their discretion, any motion pictures and live, taped or filmed television and other reproductions of the athlete during the period of the competition without compensation.

31 GPS Trackers [NP]

31.1 A vakaros atlas 2 unit shall be collected at the race office and shall be attached to each yacht behind the mast as shown by the vakaros support team.

Organizing Officer

Adi Lüzlbauer

Technical Committee

Günther Staudinger (NM)

Gert Schmidleitner (NM)

Protest Committee

Christian Hotwagner (NJ)

Karl Mikulaschek (NJ)

Irene Schanda (J)

Arbitrator

Gert Schmidleitner (NJ)

Race Committee

Gert Schmidleitner (IRO)

Helmut Wollner

Florian Gföllner

Joana Opelt (RO)

Johanna Schmidt

Manfred Stelzl

Race Office

Joana Opelt

Theresa Koch

Press

Irene Schanda

Joana Opelt

Gert Schmidleitner

Zipferbar

Adi Lüzlbauer

Michael Müller

Competitors

(before registration)

GER	Theresa Dietrich / YCRA	Alexander Dietrich / YCRA
GER	Jolanda Engel / GYC	Michael Schulz / GYC
ARG	Martin Pedro Ferrero / CNO	Tomas Fioriti / CNO
GER	Daniel Fritz / CYC	Michael Oberweger / UYCAAs
AUT	Robert Holzer / NCA	Emil Scherer / NCA
GER	Henrik Huchel / KYC	Max Bergmann / KYC
AUT	Jan Kwapinski / UYCNs	Julius Kwapinski / UYCNs
CZE	Andrew Lawson / YCSS	Jiri Fetterle / YCCL
AUT	Barbara Matz / YCBb	Michael Müller / UYCAAs
AUT	Anton Messeritsch / UYCWg	Michael Fischer / UYCAAs
AUT	Julia Magdalena Müller / UYCAAs	Xaver Seydl / SCK
GBR	Olly Murray / YDSC	Colin Murray / YDSC
CZE	Adam Ott / YCB	Vítězslav Ott / YCZ
AUT	Matthias Puxkandl / UYCT	Xaver Haginger / UYCT
USA	Matthew Rajacich / TAYC	Eric Wagner / CYC
AUT	Anna Saletu / UYCAAs	Johannes Sablatnig / UYCAAs
AUT	Oscar Schanda / UYCAAs	Georg Stefenelli / UYCAAs
AUT	Stefan Scharnagl / SCM	Adolf Lüzlbauer / UYCAAs
AUT	Roman Stelzl / UYCAAs	Jesper Spehr / SVMG
AUT	Julia Stelzl / UYCAAs	Wolfgang Brenner / KYC
SLO	Gasper Strahovnik / YCSS	Michael Maier / YCSS
NED	Pim Van Vugt / WSV h2o	Robin Jacobs / WSV

Timeline

Wednesday, 27th September

15:00 – 18:00 REGISTRATION, Equipment Inspection and Event-Measurement

16:00 – 20:00 WELCOME SNACK

Thursday, 28th September

09:00 – 11:00 REGISTRATION, Equipment Inspection and Event-Measurement

09:00 – 11:00 WELCOME SNACK

11:00 – 11:15 Opening Ceremony and Briefing

13:00 1st Warning signal, Racing

After Racing: EAT PASTA – SAIL FASTA, Daily Prizегiving

Friday, 29th September

9:00 Briefing

10:30 Racing

approx. 19:00 Barbecue with Michi and Michi, Daily Prizегiving

Saturday, 30th September

9:00 Briefing

10:30 Racing

approx. 19:00 CHAMPIONSHIP-DINNER / Austrian Evening (Blazer, Dirndl, Lederhose)
Daily Prizегiving and Overall Prizегiving

Sunday, 1st October

Reserve Day / Prizегiving



RANGE ROVER
SPORT

CCT GROUP

SALZBURG • MÜNCHEN • DÜSSELDORF • ROVINJ

